

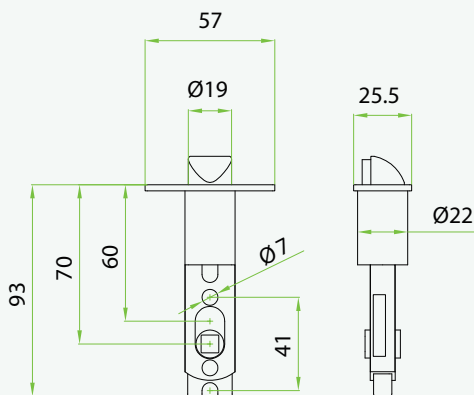


# PL10R

PL10R is a smart lock with advanced RFID technology. It is designed for DIY, which enables you to replace a knob lock with it by yourself easily and quickly.

## Features

- Advanced 13.56mhz Mifare card technology
- Rugged, sleek and compact design
- American standard single latch for easy replacement and installation
- Independent clutch motor design under patent protection
- Idle handle design to prevent forcible entry
- Registration data are stored even if there is power loss
- Handle, latch and strike are reversible for all door opening directions
- Emergency key override (concealed)
- LED indicator and inbuilt buzzer
- External terminals to draw back-up power from a 9V battery
- Low battery warning
- Normal Open mode
- Easy to program and easy to use
- Easy to install - no wiring is required
- 3 user groups
  - Admin, Normal User and Temporary User
- Backset is 60 mm or 70mm (adjustable)



## Specifications

<b>Material</b>	Rugged ABS
<b>User Capacity</b>	Admin -10 Normal User - 60 Temporary User - 20
<b>Operating Temperature</b>	-10°C - 55°C
<b>Power Supply</b>	4 x AA Alkaline Battery
<b>Backup Unlocking Way</b>	Mechanical Key & 9V Battery
<b>Door Thickness</b>	30-38 mm (optional) 39-46 mm (standard) 47-54 mm (standard) 55-60 mm (optional)
<b>Dimensions</b>	Front - 69(W)×155(L)×35(D) mm Back - 69(W)×155(L)×25(D) mm

